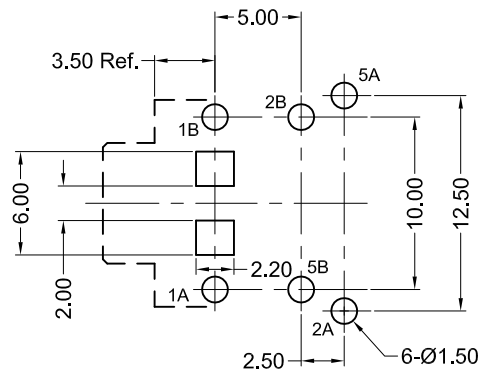
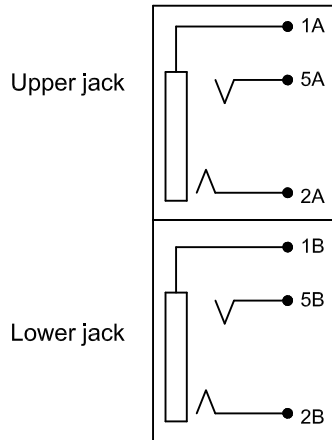


Schematic



Recommended PCB Layout (Top View)

Materials and Finish

Housing: PA46 Thermoplastic
15% Glass Filled, Black
UL 94V-2 Rated
Color: Black

Terminals: Phosphor Bronze
Tin Plated

Electrical Characteristics

Contact Resistance:
Before Test: 50 mohms Max.
After Durability Test:
100 mohms Max.

Insulation Resistance:
More than 100 Megohms
at 500V DC

Dielectric Strength:
500V AC RMS for 1 minute

Operating Temp:
-25°C to +85°C

Voltage Rating:
16 Volts DC

Current Rating:
0.3 A

Max Process Temp:
With Jack mounted on PCB,
Terminals immersed in solder bath at
260±5°C for 10±1 sec.

Mechanical Characteristics

Insertion Force:
0.4kg - 3.0kg

Extraction Force:
0.4kg - 3.0kg

Durability: 5000 mating cycles

REV.	DATE	DESCRIPTION	REV. BY	CHK. BY	DRAWN BY	DATE
A1	07/11/05	New Drawing	R. Aguirre	H. MA	R. Aguirre	07/07/05
A2	01/21/11	ECO #10-095	S. Vien	H. MA		
A3	06/15/11	ECO #11-040	S. Vien	H. MA		
A4	06/17/13	ECO #13-038	W. Cook	P. DalCanto		

STX-4235-3/3-N

Stacked 3.5mm/3.5mm Stereo Jacks
3 Position over 3 Position, RoHS Compliant

RoHS COMPLIANT
EU Directive 2002/95/EC



Tolerances
X.X ± 0.3
X.XX ± 0.2
Unless Stated Otherwise

