

Materials and Finish

Housing: polyamide,
UL 94V-0 rated, black,
Terminals: copper alloy,
silver plating all over
nickel underplating

Electrical Characteristics

Contact Resistance:
Before Test:
50 milliohms max.
After Durability Test:
100 milliohms max.

Rated Voltage:
16 V DC

Rated Current:
0.3A

Insulation Resistance:
100 Megohms min.
at 500V DC

Dielectric Strength:
500V AC RMS for 1 minute

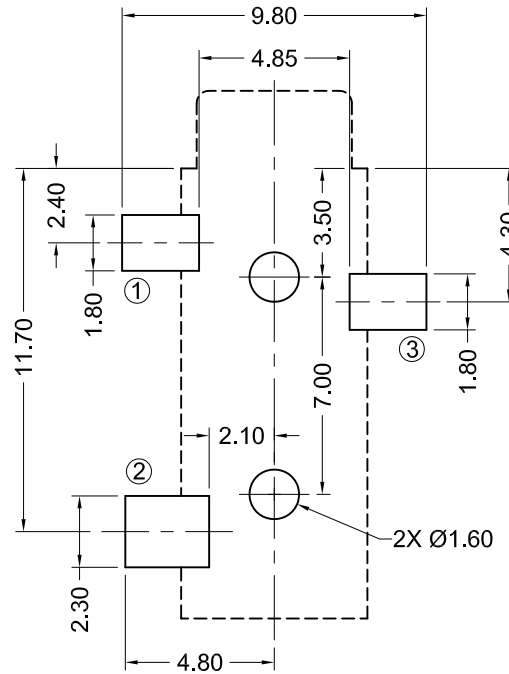
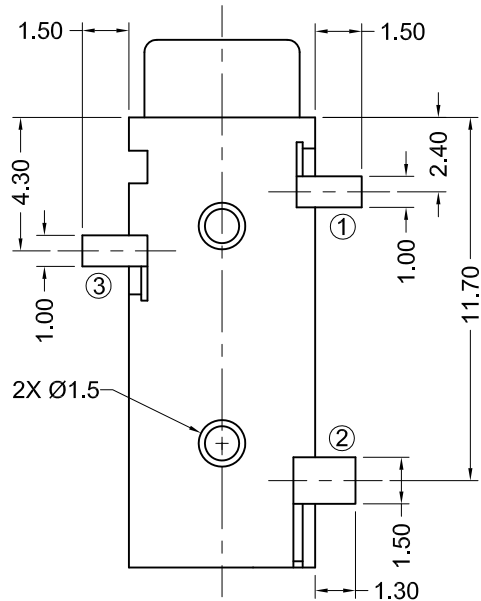
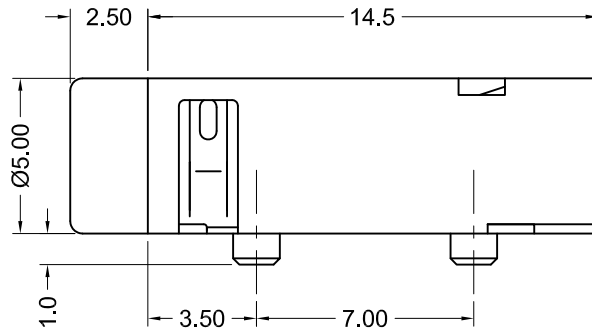
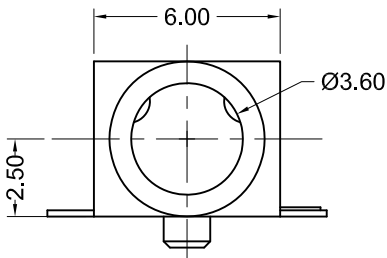
Operating Temp:
-25°C to +85°C

Mechanical Characteristics

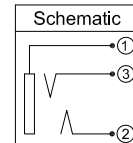
Insertion Force:
3.0kg max.

Extraction Force:
0.2kg min.

Durability: 5000 mating cycles



Recommended PCB Layout
(Top View)



Part Number	Color	Packaging	
STX-3500-3NTR	Black	Tape and Reel	
STX-3500-3N-701CTR	Pink	Tape and Reel	
STX-3500-3N-284CTR	Blue	Tape and Reel	
STX-3500-3N-577CTR	Green	Tape and Reel	
STX-3500-3N-235CTR	Burgundy	Tape and Reel	Discontinued



Tolerances
X.X ± 0.25
X.XX ± 0.15
Unless Stated Otherwise

REV.	DATE	DESCRIPTION	REV. BY	CHK. BY	DRAWN BY	DATE
A0	09/28/05	New Drawing	R. Aguirre	H. MA		
A1	07/11/06	Drawing Release	R. Aguirre	H. MA	R. Aguirre	07/14/05
A2	01/24/08	Add Color Options	Will H.	H. MA		
A3	08/13/08	ECO #08-066	S. Vien	H. MA		
A4	08/16/13	ECO #13-060	D. Gih	P. DalCanto		
A5	09/26/13	ECO #13-072	W. Cook	H. MA		

STX-3500-3N

Stereo Jack, 3 Position, RoHS Compliant

All Plastic Body, Right Angle, SMT Type

