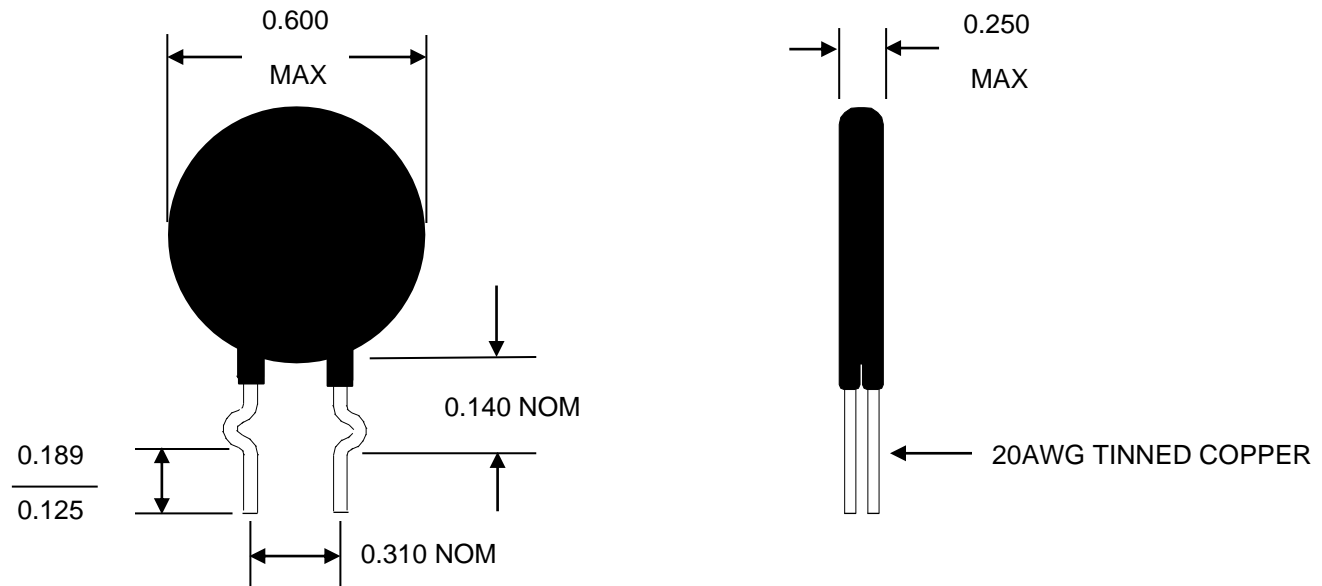


Rev	Date	ECO#
A	1/22/20	ISSUE

Drawing not to scale  
All dimensions in inches



SPECIFICATIONS:

- RESISTANCE @ 25°C = 5.0Ω ±15%
- MAX CURRENT (I<sub>max</sub>) = 7 AMPS
- RESISTANCE @ I<sub>max</sub> = 0.07Ω NOM
- MAX VOLTAGE RATING = 265 VAC (RMS)
- MAX SURGE RATING = 40 JOULES
- ENCAPSULATION = SILICONE RESIN
- MARKING = SG311
- LEADS = LS100-13

DRAWN BY: C. Terry		<b>AMETHERM</b> Circuit Protection Thermistors
DATE: 1/22/20	REV: A	
ORIG. C. Terry	APPR: M. Samii	SURGE-GARD
SHEET 1 of 1		SG311-C003