

FILE COPY

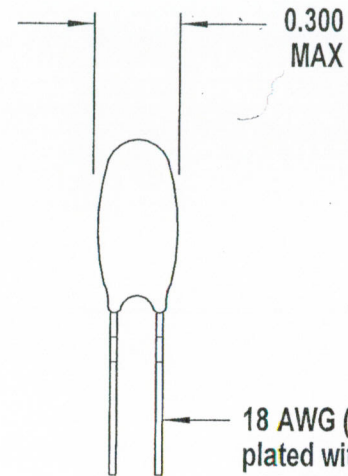
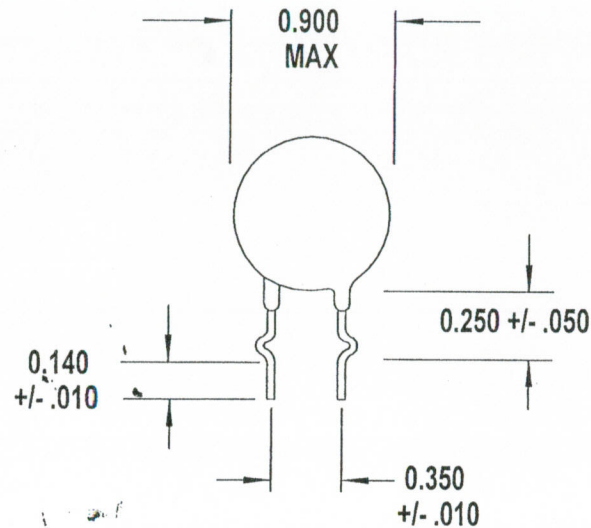
NO. 3

CONFIDENTIAL

REV	DATE	ECO#
A	10/05/01	22932
B	03/18/10	36187

DRAWING NOT TO SCALE
ALL DIMENSIONS IN INCHES


CAD# = SG307-C005_B.CAD



18 AWG (0.040) Copper wire
plated with 100% matte tin (Sn)
with nickel barrier

SPECIFICATIONS:
 RESISTANCE AT 25 DEG C = 2.5 OHMS +/- 15%
 MAXIMUM CONTINUOUS CURRENT (I_{max}) = 15 AMPS
 RESISTANCE AT I_{max} = 0.03 OHMS NOMINAL
 MAXIMUM VOLTAGE RATING = 265 VAC (RMS)
 MAXIMUM SURGE RATING = 87 JOULES
 ENCAPSULATION = SILICONE RESIN
 MARKING = OPTIONAL
 LEADS = RTI P/N STL-309-45

Customer: Parker Compumotor
ref p/n: 17-004007-01

Drawn by: W.Wentzel		 RTI Electronics, Inc.
Date 10/05/01	Orig.: R. Johnson	
Rev B	Appr. <i>W.W.</i>	SURGE-GARD INRUSH CURRENT LIMITER
Sheet 1 of 1		SG307-C005