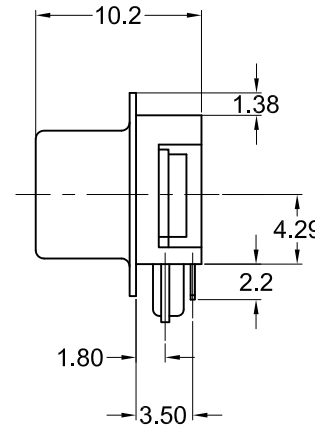


Recommended PCB Layout
(Top View)



Material and Finish

- Insulator: PBT Thermoplastic with Glass-fiber Reinforcement, UL 94V-0 Rated, Color: Black
- Shell: Steel, Tin Plated
- Contact Material: Socket - Phosphor Bronze
- Contact Plating Options:
 - Standard: Gold Flash on Mating End, Tin on Termination End, Nickel Underplate on Entire Contact
 - 15 Option: 15u" Gold on Mating End, Tin on Termination End, Nickel Underplate on Entire Contact
 - 30 Option: 30u" Gold on Mating End, Tin on Termination End, Nickel Underplate on Entire Contact

Electrical Specifications

- Rated Current: 2A
- Rated Voltage: 30V RMS
- Insulation Resistance: 1000 Megohms Min. at 500V DC
- Contact Resistance: 13 milliohms Max.
- Dielectric Withstanding Voltage: 1000V for 1 Minute

Mechanical Specifications

- Operating Temperature: -55°C to +105°C

Part Number	Contact Area Plating Finish
K31X-E9S-N	Gold Flash (Standard)
K31X-E9S-N15	15u" Gold (15 Option)
K31X-E9S-N30	30u" Gold (30 Option)



Tolerances
X.X ± 0.25
X.XX ± 0.15
Unless Stated Otherwise

REV.	DATE	DESCRIPTION	REV. BY	CHK. BY	DRAWN BY	DATE
A1	07/18/06	New Drawing	R. Aguirre	H. MA	R. Aguirre	07/18/06
A2	3/6/08	ECO #07-051	S. Vien	H. MA		
A3	04/21/09	ECO #09-031	S. Vien	H. MA		
A4	10/02/12	ECO #12-052	S. Vien	P. DalCanto		
A5	05/31/13	Updated Depth	W. Cook	P. DalCanto		

K31X-E9S-N

D-Sub, 9 Pin, Socket, RoHS Compliant

Ultra Compact Footprint

