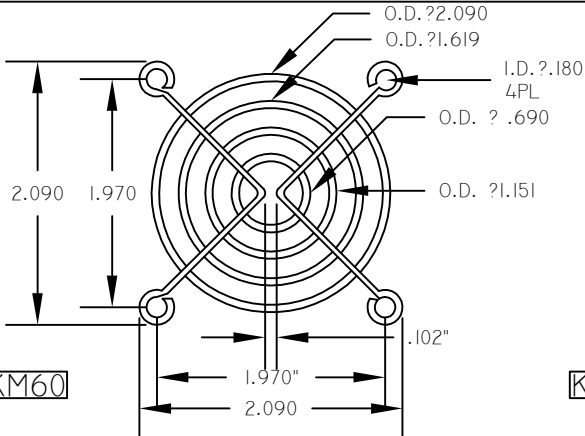
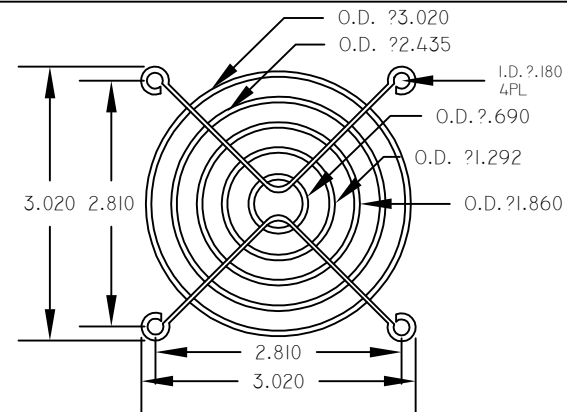


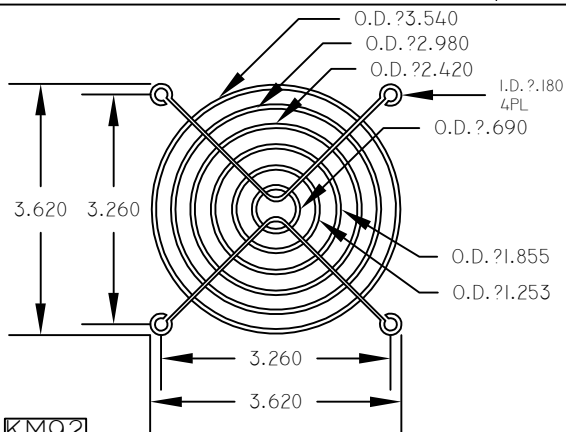
KM40



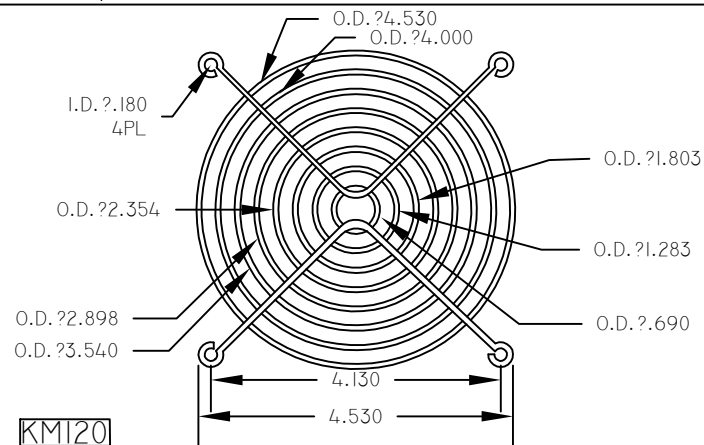
KM60



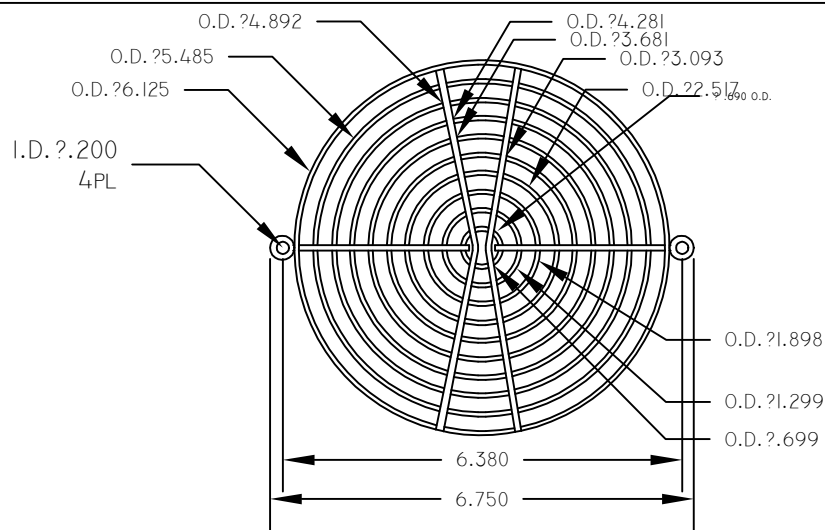
KM80



KM92



KM120



KM172

MAT'L:
 WIRE, STEEL C1010 ELECTROPLATED BRIGHT NICKEL
 CHROME, CLEAR ZINC, OR BLACK ELECTRO DEPOSIT.
 PLATING THICKNESS = .0005" MIN.
 PLASTIC NORYL OR ABS UL94V-0

WELD JOINTS TO WITHSTAND MIN. 220LBS.
 SEPARATION FORCE TO MEET UL/CSA
 STANDARDS. CONFORMS TO U.L. ?1/4" PLUG GAGE
 TEST

SANYO DENKI AMERICA
TORRANCE, CALIFORNIA
FINGER GUARDS