

## Product information

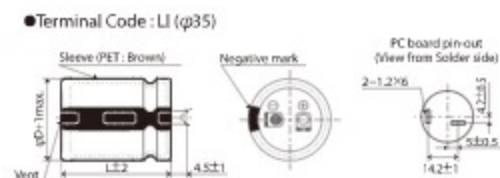
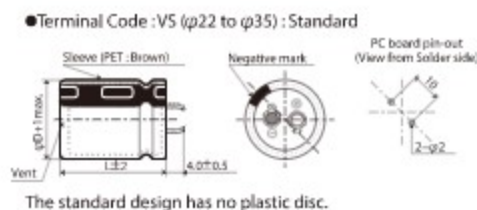
part number	EKMQ500VSN123MR50S	product status	Mass production
series name	KMQ	polarity	Polarity
Category temperature range	-40 to 105°C	Rated voltage	50 Vdc
capacitance	12000 $\mu$ F	Capacitance tolerance	-20 to 20% (M) / 20°C, 120Hz
Body dimensions $\varnothing$ D	30mm	Body dimension L	50mm
Rated ripple current	4290mA <sub>rms</sub> /105°C/120Hz	Leak current	2320 $\mu$ A max / 20°C, 5 minutes value
Tangent of loss angle (tan $\delta$ )	0.3max/20°C, 120Hz	Durability Specified temperature/specified time/load	105°C / 2000hrs / DC + Ripple
High temperature no-load characteristics Specified temperature/specified time	105°C/1000hrs	terminal plating	Sn
Reference weight	53g	Minimum packing unit	200 pieces
RoHS Directive	fit		

## Rated ripple current correction factor

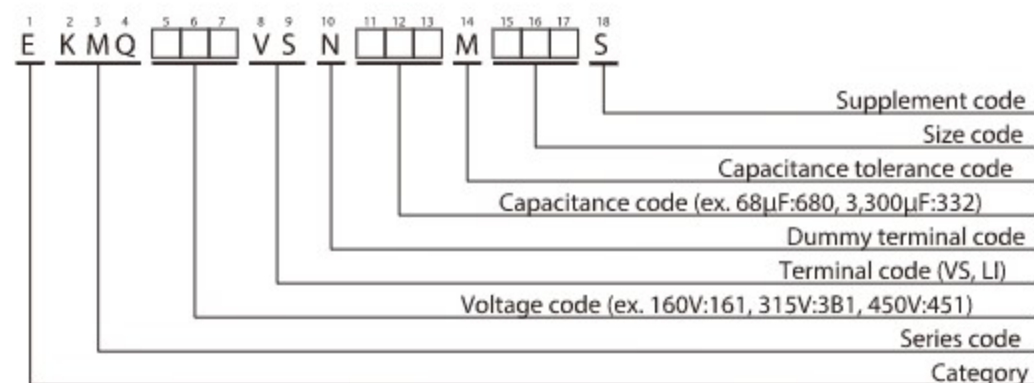
frequency correction factor

Frequency [Hz]	50	120	300	1k	10k	50k
correction factor	0.95	1.00	1.03	1.05	1.08	1.08

## Dimensional drawing [mm]



## Product number system



Please refer to "Product code guide (snap-in type)"

品番コードの詳細は「品番の表し方(基板自立形)」をご参照下さい。  
 产品型号代码的详细介绍请参考「产品型号的表达方法(基板自立型)」。