



# 60×60×25 mm

San Ace 60 9S type Silent Fan us

## General Specifications

- Material ..... Frame: Plastic (Flammability: UL 94V-0), Impeller: Plastic (Flammability: UL 94V-1)
- Expected life ..... See the table below. (L10 life: 90% survival rate for continuous operation in free air at 60°C, rated voltage) Expected life at 40°C is for reference only.
- Motor protection function ..... Locked rotor burnout protection, Reverse polarity protection For details, please refer to p. 614.
- Dielectric strength ..... 50/60 Hz, 500 VAC, for 1 minute (between lead wire conductors and frame)
- Insulation resistance ..... 10 MΩ min. at 500 VDC (between lead wire conductors and frame)
- Sound pressure level (SPL) ..... A-weighted sound pressure level (SPL) at 1 m away from the air inlet.
- Storage temperature ..... -30 to +70°C (Non-condensing)
- Lead wire ..... ⊕Red ⊖Black Sensor Yellow
- Mass ..... 55 g

## Specifications

The models listed below **have ribs and a pulse sensor**. For models without ribs, append "1" to the end of model numbers.

Model no.	Rated voltage [V]	Operating voltage range [V]	Rated current [A]	Rated input [W]	Rated speed [min <sup>-1</sup> ]	Max. airflow [m <sup>3</sup> /min] [CFM]	Max. static pressure [Pa] [inchH <sub>2</sub> O]	SPL [dB (A)]	Operating temperature [°C]	Expected life [h]
9S0612S401	12	8 to 13.8	0.2	2.4	5000	0.74 26.1	65.7 0.26	31	-10 to +70	40000/60°C (70000/40°C)
9S0612H401			0.11	1.32	3900	0.58 20.5	40.0 0.16	24		
9S0612F401			0.08	0.96	3300	0.49 17.3	29.3 0.12	20		
9S0612M401			0.07	0.84	2700	0.4 14.1	19.7 0.08	16		

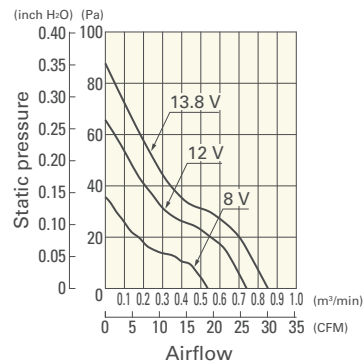
Note 1: Sensor and control options are available for selection. Refer to the table on p. 653.

Note 2: The mark indicates Short Lead Time Service applicable models. See p. 668 for details.

## Airflow - Static Pressure Characteristics

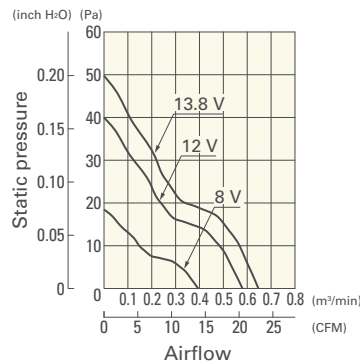
**9S0612S401** With pulse sensor

Operating voltage range



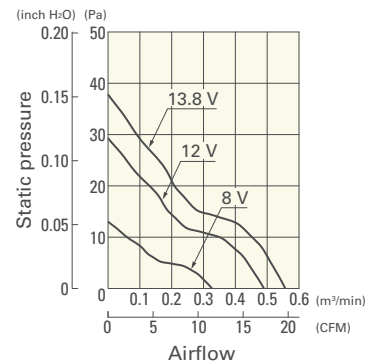
**9S0612H401** With pulse sensor

Operating voltage range



**9S0612F401** With pulse sensor

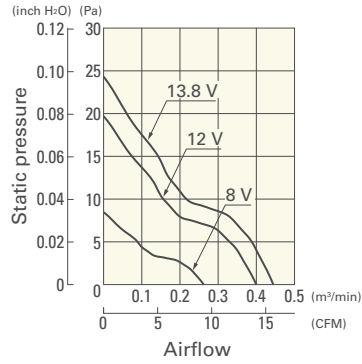
Operating voltage range



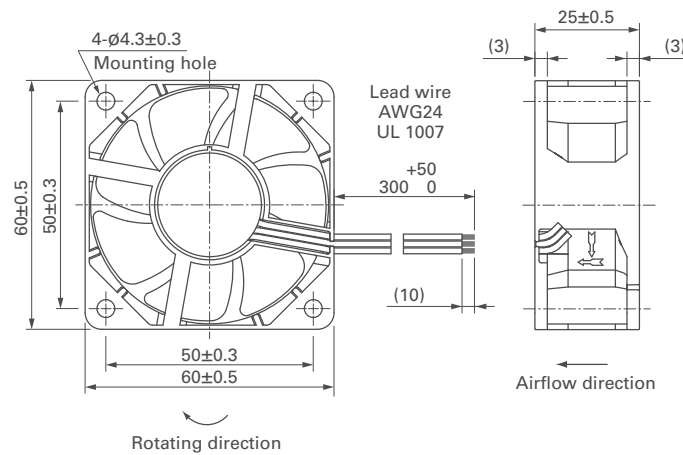
**Airflow - Static Pressure Characteristics**

9S0612M401 With pulse sensor

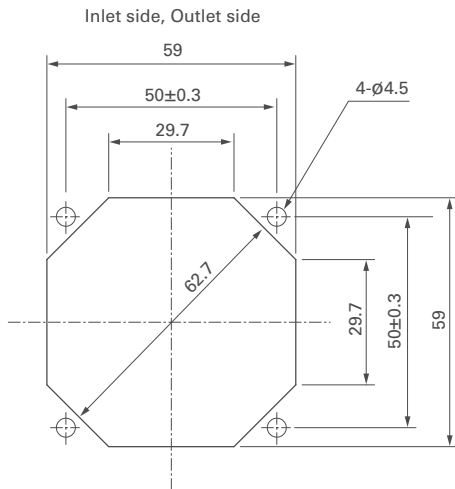
Operating voltage range



**Dimensions (unit: mm) (With ribs)**



**Reference Dimensions of Mounting Holes and Vent Opening (unit: mm)**



**Options**

Finger guards page: p. 598

Model no.: 109-139E, 109-139H

Resin finger guards page: p. 605

Model no.: 109-1003G

Resin filter kits page: p. 606

Model no.: 109-1003F13 (13PPI), 109-1003F20 (20PPI), 109-1003F30 (30PPI), 109-1003F40 (40PPI)