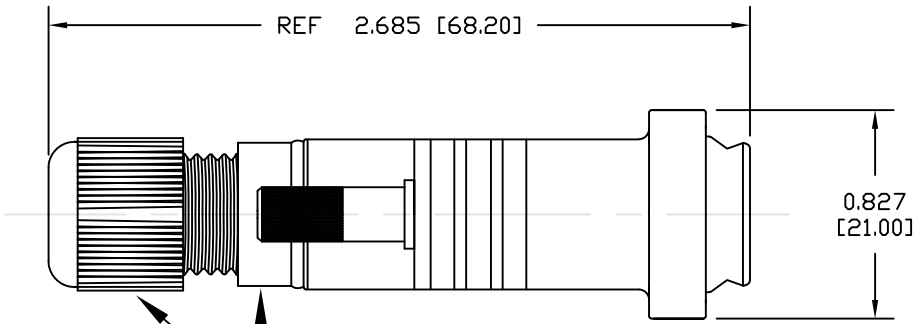
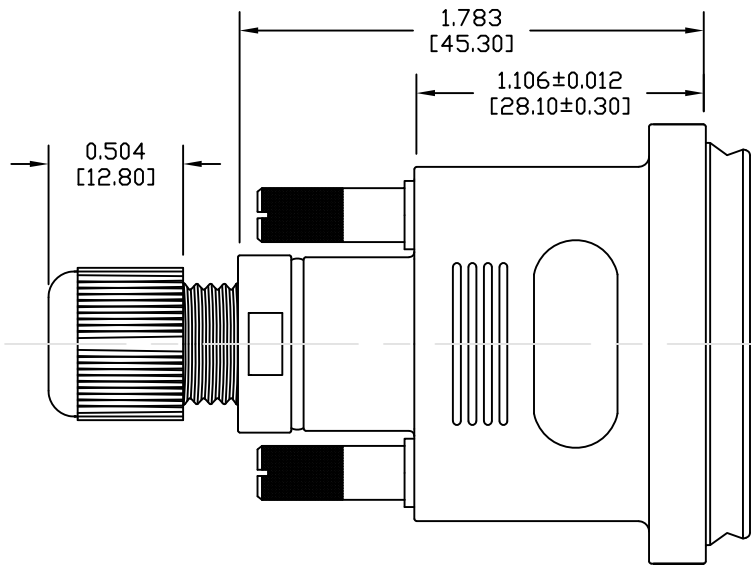


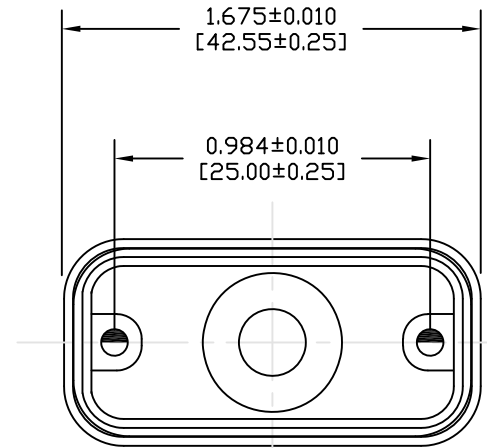
DESCRIPTION: IP67 - 9 POSITION PLASTIC BACKSHELL - ONLY



TORQUE
SETTING
6.075-9.547 in.lbs
[7-11 kgf.cm]

MATERIAL & FINISH:

- BACKSHELL: ABS - UL HB RATED, BLACK COLOR
- BUSHING & BAFFLE: SILICONE
- THUMBSCREWS: BRASS, NICKEL PLATED
- TEMPERATURE: ABS: 0°C TO +80°C
SILICON: -35°C TO +116°C
- CABLE DIAMETER: 0.260 inches [6.60mm] Max.
0.100 inches [2.54mm] Min.



DO NOT SCALE FROM DRAWING



THESE DRAWINGS AND SPECIFICATIONS ARE THE PROPERTY OF NorComp AND SHALL NOT BE REPRODUCED, COPIED OR USED AS THE BASIS FOR THE MANUFACTURE OF SALE OF APPARATUS WITHOUT WRITTEN PERMISSION.

DRAWN: M. SIGMON		DATE: 12-2-10	
SCALE: NTS	SHEET 1	OF 1	REV 5
DWG NO.		967-009-010R011	

NorComp

RoHS COMPLIANT