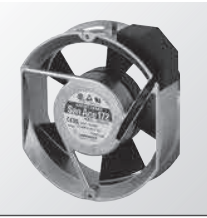


# Ø 172×150×51 mm

San Ace 172 

Sidecut type



## General Specifications

- Material ..... Frame: Aluminum, Impeller: Plastic (Flammability: UL 94V-1)
- Expected life ..... See the table below. (L10 life: 90% survival rate for continuous operation in free air at 60°C, rated voltage)  
Expected life at 40°C is for reference only.
- Motor structure ..... Capacitor motor
- Motor protection function ..... Locked rotor burnout protection, Reverse polarity protection  
For details, please refer to p. 614.
- Dielectric strength ..... 50/60 Hz, 1500 VAC, for 1 minute (between input terminal and frame)
- Insulation resistance ..... 10 MΩ min. at 500 VDC
- Sound pressure level (SPL) ..... A-weighted sound pressure level (SPL) at 1 m away from the air inlet.
- Operating voltage range ..... Voltage of each model ±10%
- Storage temperature ..... -30 to +70°C (Non-condensing)
- Mass ..... 1000 g

## Specifications

Model no.	Rated voltage [V]	Frequency [Hz]	Input [W]	Current [A]	Locked rotor current [A]	Rated speed [min <sup>-1</sup> ]	Max. airflow [m <sup>3</sup> /min] [CFM]	Max. static pressure [Pa] [inchH <sub>2</sub> O]	SPL [dB (A)]	Operating temperature [°C]	Expected life [h]
109S301	100	50/60	27/25	0.33/0.25	0.65/0.64	2900/3500	5.3/6.4 187.3/226.1	147/196 0.59/0.787	51/56	-30 to +60	25000/60°C (56000/40°C)
109S304	115			0.29/0.22	0.55/0.54						
109S302	200			0.16/0.13	0.33/0.32						
109S303	230			0.14/0.11	0.28/0.27						

Note: These are Short Lead Time Service applicable models. Contact your point of sale for stock availability. For more information on the service, see p. 668.

## Set Models PSE (Japanese safety standard) compatible

A set of a fan, finger guard, plug cord (PSE compatible), and screws. For details, please refer to p. 669.

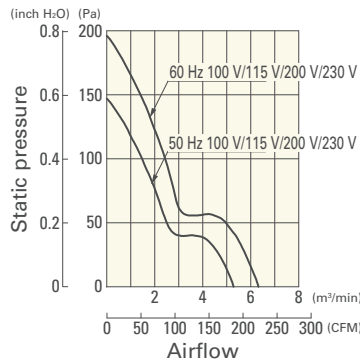
Order no.	Set items					Mounting screws
	Fan	Voltage	Low-speed sensor	Plug cord	Finger guards	
ST1-109S301	109S301	100 V		489-1619-L10 <sup>(1)</sup>	109-319E	M4×25 mm (4 screws) <sup>(2)</sup>
ST1-109S304	109S304	115 V		489-1619-L10 <sup>(1)</sup>	109-319E	
ST1-109S302	109S302	200 V		489-1619-L10 <sup>(1)</sup>	109-319E	
ST1-109S303	109S303	230 V		489-1619-L10 <sup>(1)</sup>	109-319E	

(1) PSE compatible, but not UL compatible.

(2) Though these are 2-hole or 3-hole frame mount types, 4 screws are included for extra.

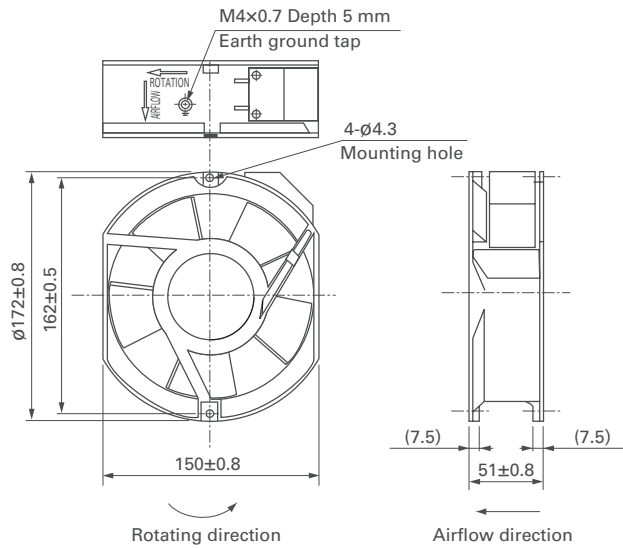
## Airflow - Static Pressure Characteristics

### 109S301, 109S304, 109S302, 109S303

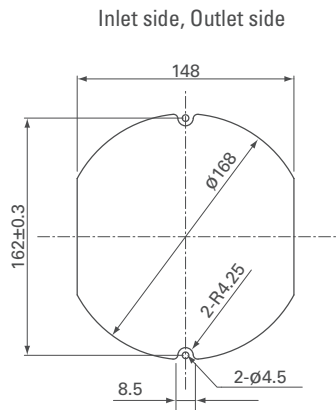


AC Fan Ø172 mm AC

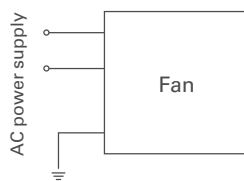
## Dimensions (unit: mm)



## Reference Dimensions of Mounting Holes and Vent Opening (unit: mm)



## Connection Schematic



## Options

### Finger guards

page: p. 600

Model no.: 109-319J, 109-319E, 109-319H

### Plug cord

page: pp. 608 to 609

PSE compatible models  
 Model no.: 489-1619-L10, 489-1619-L21  
 UL/CSA certified models  
 Model no.: 489-084-L10, 489-084-L21

AC Fan  $\phi 172$  mm AC