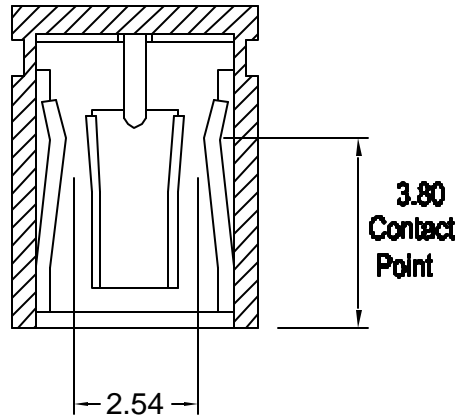
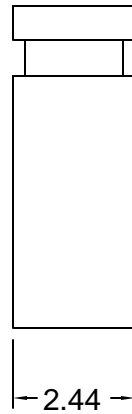


A Type



**Materials and Finish**

Body: PBT Thermoplastic,  
30% glass filled,  
UL94V-0 rated,  
black color

Contact Material: Brass,  
3 to 6 u" Gold Plated

**Electrical Specifications**

Contact Current Rating:  
3 Amp max.

Contact Resistance:  
20 milliohms max.

Dielectric Withstanding Voltage:  
AC 650 Volts RMS

Insulation Resistance:  
1000 Megohms min.

Temperature Rating:  
-55°C to +125°C

**RoHS COMPLIANT**  
EU Directive 2002/95/EC

Tolerances
X.X ± 0.25
X.XX ± 0.15
Unless Stated Otherwise



REV.	DATE	DESCRIPTION	REV. BY	CHK. BY	DRAWN BY	DATE
A1	6/30/05	New Drawing	H. MA	C. Furumasa	H. MA	6/30/05
A2	01/15/07	ECO #06-066	R. Aguirre	H. MA		

**SX1100-A**

**Mini Shunt, 2.54 mm Pitch**  
**RoHS Compliant**

