

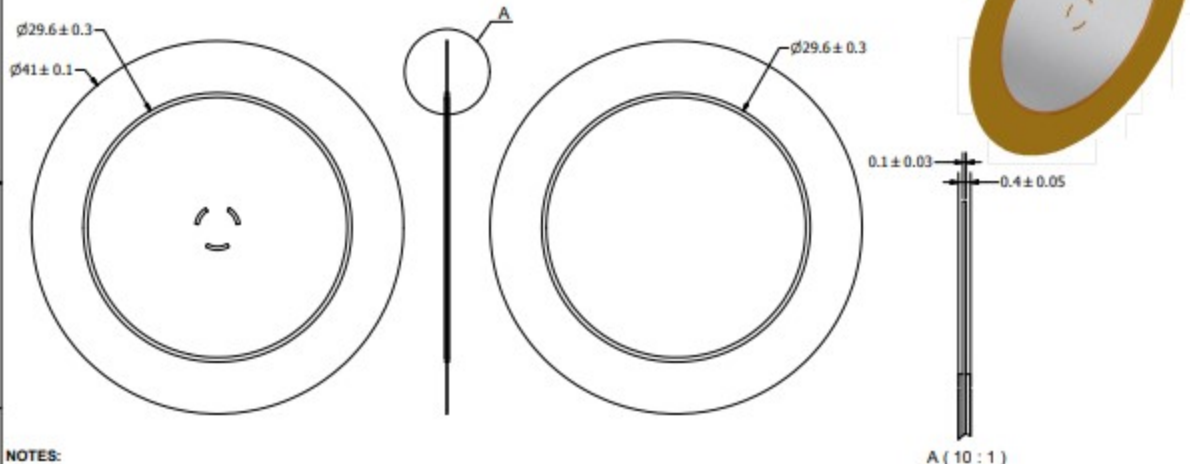
SPECIFICATIONS

PARAMETERS	VALUES	UNITS
RESONANT FREQUENCY	1,300 ± 500	Hz
RESONANT IMPEDANCE (MAX)	200	Ohm
MAX INPUT VOLTAGE	30	Vp-p
CAPACITANCE @ 1kHz	150,000 ± 30%	pF
PLATE MATERIAL	BRASS	-
OPERATING TEMPERATURE	-20 ~ +60	°C
STORAGE TEMPERATURE	-20 ~ +70	°C

THIS DOCUMENT CONTAINS DATA PROPRIETARY TO PROJECTS UNLIMITED, INC. ANY USE OR REPRODUCTION IN ANY FORM, WITHOUT PRIOR WRITTEN PERMISSION OF PROJECTS UNLIMITED, INC. IS PROHIBITED.
©2003, Projects Unlimited Inc.

REVISION HISTORY

LTR	DESCRIPTION	DATE	APPROVED
-	RELEASED FROM ENGINEERING	10/25/2004	
A	REVISED DIMENSION SIZE AND STYLE	1/30/2006	B.R.
B	REVISED DIMENSIONS	10/1/2009	B.R.
C	REVISED TO INVENTOR 3-D DRAWING TEMPLATE	8/26/2010	B.R.



NOTES:

- ALL DIMENSIONS ARE IN MILLIMETERS.
- SPECIFICATIONS SUBJECT TO CHANGE OR WITHDRAWAL WITHOUT NOTICE.
- THIS PART IS RoHS 2002/95/EC COMPLIANT.

UNLESS OTHERWISE SPECIFIED, DIMENSIONS ARE IN MILLIMETERS. TOLERANCES AND ANGLES ARE AS SHOWN.	SIZE A3	Designed by	Date	Checked by	Date	Approved by	Date	Drawn Date
		R.A.C.	10/25/2004			R.W.	10/26/2004	8/26/2010
AB4113B						Bender		
AS4113B.idw						1 / 1		

